



NORTH AMERICA SUPPLIER MANUAL

EDIFACT (D96A) DELJIT

1. Introduction

This document describes how TEN will use the EDIFACT messages for some of the NA Supplier base using EDIFACT messages for EDI transmissions. It also contains information on how to set-up the EDI-connections with TEN

In case you have questions and/or remarks about this document, do not hesitate to contact:

EDI-team e-mail: taedi@tenneco-automotive.com

Depending on business needs, TEN reserves the rights to change and update the contents of this manual in case this might improve the data exchange with suppliers.

2. Communication with Tenneco

Completion form

	Customer: Tenneco (TEN)	Vendor:
1. VAN's		
1.1 Covisint		
Mailbox Number	005036900TA:14	
1.2 Other Van details (if you are using another VAN, please give details. It will allow us to investigate possible connections.)		

In order to set-up the connections, please e-mail this completion form, duly filled in, to taedi@tenneco-automotive.com. After receipt and prioritization of this document, we will contact you to proceed with setting-up the connection.

3. Glossary of EDI terms

Here you can find the explanation on how to read/interpret the message-definitions

<u>AAA: BBB</u> XXXX CCC	D	EEE	FFF
-----------------------------	---	-----	-----

Where:

AAA = segment identifier

BBB = segment name

XXX = data element (when **bold** then this data element is a composite data element)

CCC = description of the (composite) data element

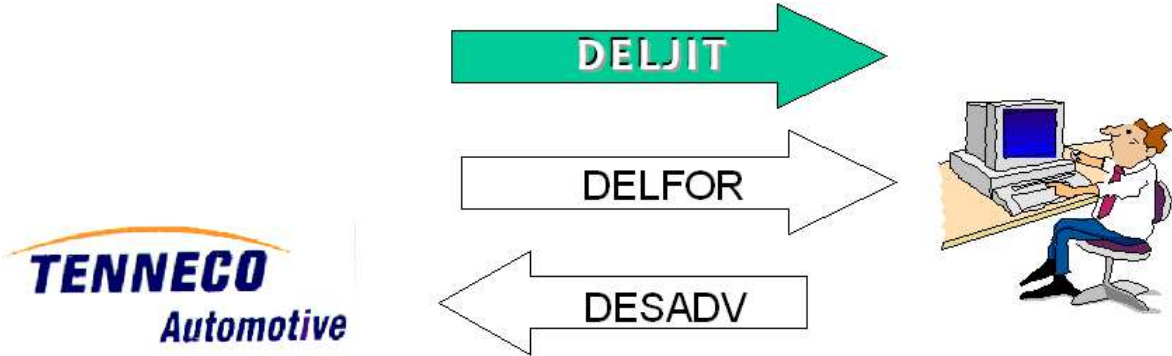
D = status of the (composite) data element (M: mandatory, C: conditional)

EEE = data type and length (A: alphanumeric, N: numeric)

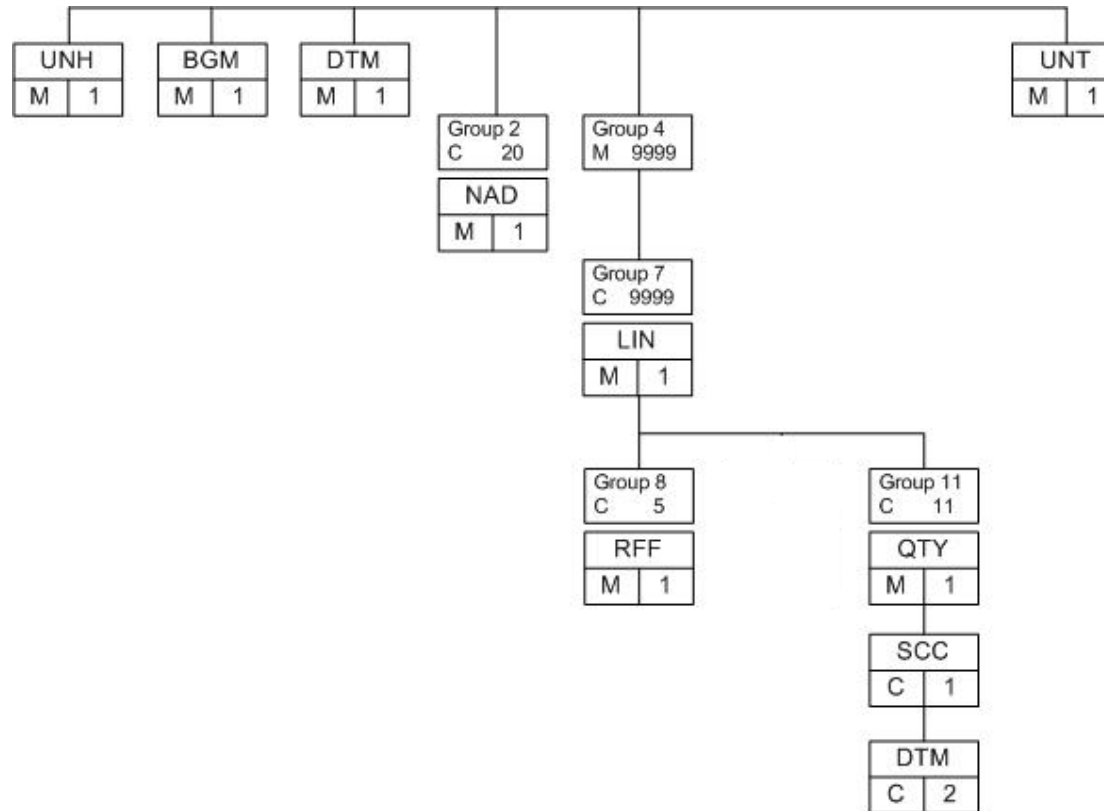
FFF = value of the (composite) data element

4. DELJIT

The DELJIT message will be used to inform sellers about short-term delivery instructions.



4.1 DELJIT - Message Hierarchy



4.2 DELJIT - Message-definition

UNH: Message header

0062	Message reference number	M	A14		
S009	Message ID.	M		Identifier of message	
0065	Message Type	M	A6		'DELJIT'
0052	Message Version number	M	A3		'D'
0054	Message release number	M	A3		'96A'
0051	Controlling agency	M	A2		'UN'
0057	Associated assigned code	M	A6		'A09041'

Example: UNH+1+DELFOR:D96:A:UN:A09041

BGM: Beginning of message

C002	Document message name	M		Identification of document	
1001	Document name, code	M	A3		'242' (= usage of DELJIT-message)
1004	Document number	M	A35		Delivery instruction number (K09-LABNK)

Example: BGM+242+3

DTM: Date/time/period

C002	Date and/or time period	M		Date and/or time or period relevant to the specified date/time/period	
2005	Date/time/period qualifier	M	A3		'137' (= date/time when a document/message is issued)
2380	Date/time/period	M	A35		system date time
2379	Date/time/period format	M	A3		'102' (= CCYYMMDD)

Example: DTM+137:19990305:102

NAD: Name and Address (Seller)

3035	Party qualifier	M	A3		'SE'
C082	Party ID. Details	M			
3039	Party id. Identification	M	A35		Sellers Identification number used by Tenneco (Supplier DUNS Number)
3055	Code list responsible agency	M	A3		'92'

Example: NAD+SE+0001012010:::92

NAD: Name and Address (Consignee)

3035	Party qualifier	M	A3	'CN'
C082	Party ID. Details	M		
3039	Party id. Identification	M	A35	Consignee's Identification code used by Tenneco (Tenneco Automotive DUNS Number)
3055	Code list responsible agency	M	A3	'92'

See "Appendix A" for Plant DUNS Number Cross Reference Table

Example: NAD+CN+TRM1 : : 92

SEQ: Sequence Details

1245	Status Indicator, coded	M	A3	'3' (= created new) hardcoded to 3
------	-------------------------	---	----	------------------------------------

Example: SEQ+3

LIN: Line item

1229	Action Request/notification, coded	M	A3	'3' (= changed delivery request)
C212	Item number identification	M		
7140	Item number	M	A35	
7143	Item number type, coded	M	A3	'IN' (= buyer's item number)

Example: LIN++3+139785 : IN

RFF: Reference seller

C506	Reference	M		Sellers reference at the Buyer
1153	Reference qualifier	M	A3	'ON' (= contract number)
1154	Reference number	M	A35	

Example: RFF+ON: 5500002821

Note: This value needs to be returned in the RFF+ON at Item level on the DESADV

RFF: Reference

C506	Reference	M		
1153	Reference qualifier	M	A3	'AAN' (= delivery schedule number)
1154	Reference number	C	A3	

Example: RFF+AAN : 3

Note: This value needs to be returned in the RFF+AAN at Item level on the DESADV

QTY: Quantity (dispatched)

C186	Quantity Details	M		
6063	Quantity qualifier	M	A3	'12' (= last dispatched quantity by the seller)
6060	Quantity	M	N15	
6411	Measure unit qualifier	M	A3	'PCE' (= pieces, other unit qualifiers are also possible)

Example: QTY+12:100:PCE

DTM: Date/time/period

C002	Date/time/period	M		
2005	Date/time/period qualifier	M	A3	'171' (= last date of dispatch advice)
2380	Date/time/period	C	A35	
2379	Date/time/period format	M	A3	'102' (= CCYYMMDD)

Example: DTM+171:19990212:102

QTY: Quantity

C186	Quantity Details	M		
6063	Quantity qualifier	M	A3	'70' (= cumulative quantity of all deliveries of this article received by the buyer)
6060	Quantity	M	N15	
6411	Measure unit qualifier	M	A3	'PCE' (= pieces, other unit qualifiers are also possible)

Example: QTY+70:110:PCE

QTY: Quantity

C186	Quantity Details	M		
6063	Quantity qualifier	M	A3	'78' (= cumulative quantity scheduled)
6060	Quantity	M	N15	
6411	Measure unit qualifier	M	A3	'PCE' (= pieces, other unit qualifiers are also possible)

Example: QTY+78:310:PCE

QTY: Quantity

C186	Quantity Details	M		
6063	Quantity qualifier	M	A3	'113' (= requested quantity)
6060	Quantity	M	N15	
6411	Measure unit qualifier	M	A3	'PCE' (= pieces, other unit qualifiers are also possible)

Example: QTY+113:10:PCE

SCC: Scheduling conditions

4017	Delivery plan status indicator, coded	M	A3	'1' (= firm order)
C329	Pattern Description	C		
2013	Frequency, coded	C	A3	'D' (= daily)

Example: SCC+4++W

DTM: Date/time/period

C002	Date/time/period	M		
2005	Date/time/period qualifier	M	A3	'2' (= delivery date/time, requested)
2380	Date/time/period	M	A35	
2379	Date/time/period format	M	A3	'102' (= CCYYMMDD)

Example: DTM+2:19990212:102

UNT: Message trailer

0074	Number of segments in the message	M	N6	
0062	Message reference number	M	A14	

Example: UNT+63+1

4.3 DELJIT - Full example

Situation:

- At 08/31/2009 TEN plant 253474266 sends a delivery instruction to supplier 12345678. Delivery instruction number 3 of scheduling agreement 5500024249.
- Material 130300048 has to be delivered to consignee 253474266.
- Actual cumulative qty scheduled: 22400
- Actual cumulative qty received: 16800
- Previous dispatch date 08/05/2009, previous qty delivered 2800
- All requested delivery quantities/dates (with qualifier 113 for quantity) are for planning

Corresponding message structure:

```
UNB+UNOA:1+005036900TA+12345678+090831:0351+000000073+++++0000000113364870
UNH+1+DELJIT:D:96A:UN:A09041
BGM+242+3
DTM+137:20090831:102
NAD+SE+12345678::92
NAD+CN+253474266::92
SEQ+3
LIN++3+130300048:IN
RFF+ON:5500024249
RFF+AAN:30
QTY+12:2800:EA
DTM+171:20090805:102
QTY+70:16800:EA
QTY+78:22400:EA
QTY+113:2800:EA
SCC+1++D
DTM+2:20090824:102
QTY+113:1400:EA
SCC+1++D
DTM+2:20090928:102
QTY+113:1400:EA
SCC+1++D
DTM+2:20091009:102
UNT+23+1
UNZ+1+000000073
```