



NORTH AMERICA SUPPLIER MANUAL

EDIFACT (D96A) DELFOR

1. Introduction

This document describes how TEN will use the EDIFACT messages for some of the NA Supplier base using EDIFACT messages for EDI transmissions. It also contains information on how to set-up the EDI-connections with TEN

In case you have questions and/or remarks about this document, do not hesitate to contact:

EDI-team e-mail: taedi@tenneco-automotive.com

Depending on business needs, TEN reserves the rights to change and update the contents of this manual in case this might improve the data exchange with suppliers.

2. Communication with Tenneco

Using a VAN

Completion form

	Customer: Tenneco (TEN)	Vendor:
1.VAN's		
1.1 Covisint		
Mailbox Number	005036900TA:14	
1.2 Other Van details (if you are using another VAN, please give details. It will allow us to investigate possible connections.)		

In order to set-up the connections, please e-mail this completion form, duly filled in, to taedi@tenneco-automotive.com. After receipt and prioritization of this document, we will contact you to proceed with setting-up the connection.

3. Glossary of EDI terms

Here you can find the explanation on how to read/interpret the message-definitions

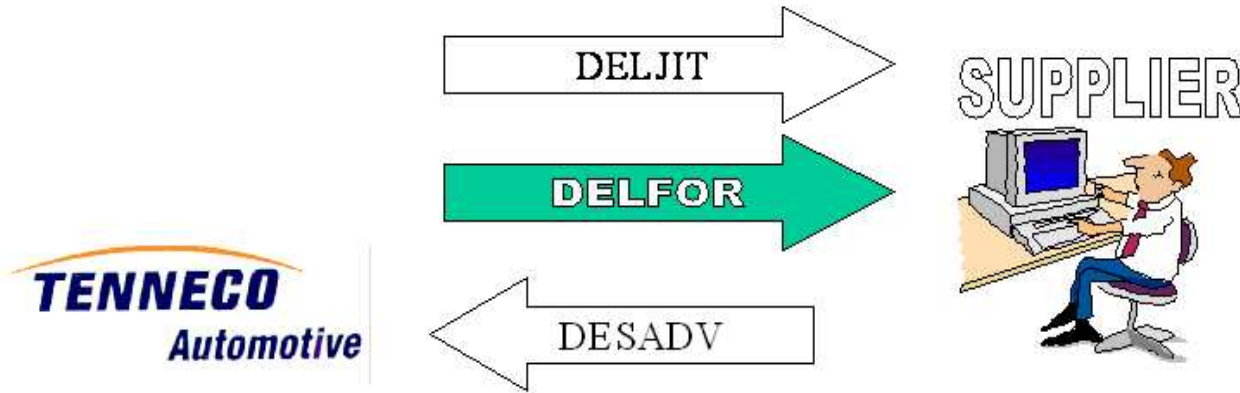
<u>AAA: BBB</u> XXXX CCC	D	EEE	FFF
-----------------------------	---	-----	-----

Where:

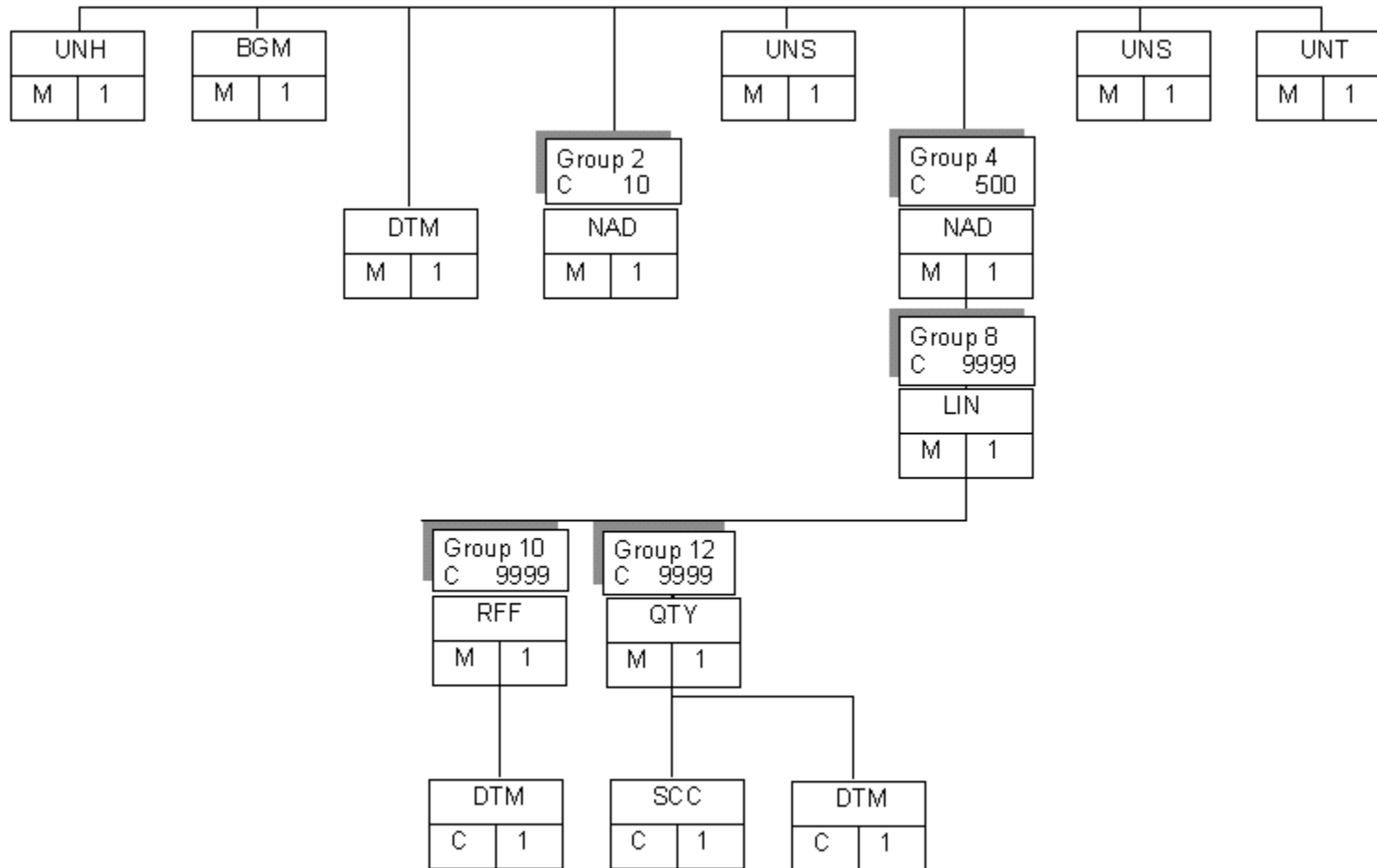
- AAA = segment identifier
- BBB = segment name
- XXX = data element (when **bold** then this data element is a composite data element)
- CCC = description of the (composite) data element
- D = status of the (composite) data element (M: mandatory, C: conditional)
- EEE = data type and length (A: alphanumeric, N: numeric)
- FFF = value of the (composite) data element

4. DELFOR

The DELFOR message will be used to inform sellers about medium to long-term requirements.



4.1 DELFOR - Message Hierarchy



4.2 DELFOR - Message-definition

UNH: Message header

0062	Message reference number	M	A14	
S009	Message ID.	M		Identifier of message
0065	Message Type	M	A6	'DELFOR'
0052	Message Version number	M	A3	'D'
0054	Message release number	M	A3	'96A'
0051	Controlling agency	M	A2	'UN'
0057	Associated assigned code	M	A6	'A09041'

Example: UNH+1+DELFOR:D96:A:UN:A09041

BGM: Beginning of message

C002	Document message name	M		Identification of document
1001	Document name, code	M	A3	'241' (= usage of DELFOR-message)
1004	Document number	M	A35	Delivery instruction number

Example: BGM+241+3

DTM: Date/time/period

C002	Date and/or time period	M		Date and/or time or period relevant to the specified date/time/period
2005	Date/time/period qualifier	M	A3	'137' (= date/time when a document/message is issued)
2380	Date/time/period	M	A35	
2379	Date/time/period format	M	A3	'102' (= CCYYMMDD)

Example: DTM+137:19990305:102

NAD: Name and Address (Seller)

3035	Party qualifier	M	A3	'SE'
C082	Party ID. Details	M		
3039	Party id. Identification	M	A35	Sellers Identification number used by Tenneco (Supplier DUNS Number)
3055	Code list responsible agency	M	A3	'92'

Example: NAD+SE+0001012010::92

UNS: Section control

0081 Section ID M A1 'D'

Example: UNS+D

NAD: Name and Address (Consignee)

3035 Party qualifier M A3 'CN'

C082 Party ID. Details M

3039 Party id. Identification M A35 Consignee's Id code used by Tenneco (Tenneco Automotive DUNS Number)

3055 Code list responsible agency M A3 '92'

See "Appendix A" for Plant DUNS Number Cross Reference Table

Example: NAD+CN+TRM1 : : 92

LIN: Line item

1229 Action Request/notification, coded M A3 '3' (= changed delivery request)

C212 Item number identification M

7140 Item number M A35

7143 Item number type, coded M A3 'IN' (= buyer's item number)

Example: LIN++3+139785 : IN

RFF: Reference seller

C506 Reference M

1153 Reference qualifier M A3

1154 Reference number M A35

Sellers reference at the Buyer

'ON' (= contract number)

Example: RFF+ON:5500002821

DTM: Date/time/period

C002 Date/time/period C

2005 Date/time/period qualifier M A3 '137' (= document/message date/time)

2380 Date/time/period M A35

2379 Date/time/period format M A3 '102' (= CCYYMMDD)

Example: DTM+137:19990329:102

RFF: Reference

C506	Reference	M		
1153	Reference qualifier	M	A3	'AAN' (= delivery schedule number)
1154	Reference number	M	A3	

Example: RFF+AAN:3

QTY: Quantity (dispatched)

C186	Quantity Details	M		
6063	Quantity qualifier	M	A3	'12' (= dispatched quantity by the seller)
6060	Quantity	M	N15	
6411	Measure unit qualifier	M	A3	'PCE' (= pieces, other unit qualifiers are also possible)

Example: QTY+12:100:PCE

DTM: Date/time/period

C002	Date/time/period	M		
2005	Date/time/period qualifier	M	A3	'171' (= date of dispatch advice)
2380	Date/time/period	C	A35	
2379	Date/time/period format	M	A3	'102' (= CCYYMMDD)

Example: DTM+171:19990212:102

QTY: Quantity

C186	Quantity Details	M		
6063	Quantity qualifier	M	A3	'70' (= cumulative quantity of all deliveries of this article received by the buyer)
6060	Quantity	M	N15	
6411	Measure unit qualifier	M	A3	'PCE' (= pieces, other unit qualifiers are also possible)

Example: QTY+70:110:PCE

QTY: Quantity

C186	Quantity Details	M		
6063	Quantity qualifier	M	A3	'78' (= cumulative quantity scheduled)
6060	Quantity	M	N15	
6411	Measure unit qualifier	M	A3	'PCE' (= pieces, other unit qualifiers are also possible)

Example: QTY+78:310:PCE

QTY: Quantity

C186	Quantity Details	M		
6063	Quantity qualifier	M	A3	'113' (= requested quantity)
6060	Quantity	M	N15	
6411	Measure unit qualifier	M	A3	'PCE' (= pieces, other unit qualifiers are also possible)

Example: QTY+113:10:PCE

SCC: Scheduling conditions

4017	Delivery plan status indicator, coded	M	A3	'4' (= planning/forecast)
C329	Pattern Description	C		
2013	Frequency, coded	C	A3	'D' (= daily), 'W' (= weekly), M (= monthly)

Example: SCC+1++W

DTM: Date/time/period

C002	Date/time/period	M		
2005	Date/time/period qualifier	M	A3	'2' (= delivery date/time, requested)
2380	Date/time/period	M	A35	
2379	Date/time/period format	M	A3	'102' (= CCYYMMDD)

Example: DTM+2:19990212:102

UNS: Section control

0081	Section identification	M	A1	'S' (detail/summary section separation)
------	------------------------	---	----	---

Example: UNS+S

UNT: Message trailer

0074	Number of segments in the message	M	N6
0062	Message reference number	M	A14

Example: UNT+63+1

4.3 DELFOR - Full example

```
UNB+UNOA:1+005036900TA+123456789+090908:0551+5+++++0000000113000020
UNH+1+DELFOR:D:96A:UN:A09041
BGM+241+2
DTM+137:20090908:102
NAD+SE+VNDUNSNUM:::92
UNS+D
NAD+CN+234567891:::92
LIN++3+2785711:IN
RFF+ON:5500024895
DTM+137:20090903:102
RFF+AAN:2
QTY+12:0:EA
DTM+171:20090903:102
QTY+70:0:EA
QTY+78:963:EA
QTY+113:21:EA
SCC+4++W
DTM+2:20091005:102
QTY+113:132:EA
SCC+4++W
DTM+2:20091012:102
QTY+113:133:EA
SCC+4++W
DTM+2:20091019:102
QTY+113:137:EA
SCC+4++W
DTM+2:20091026:102
QTY+113:68:EA
SCC+4++W
DTM+2:20091102:102
QTY+113:66:EA
SCC+4++W
DTM+2:20091109:102
QTY+113:66:EA
SCC+4++W
DTM+2:20091116:102
QTY+113:70:EA
SCC+4++W
DTM+2:20091123:102
QTY+113:54:EA
SCC+4++W
DTM+2:20091130:102
QTY+113:54:EA
SCC+4++W
DTM+2:20091207:102
```

QTY+113:52:EA
SCC+4++W
DTM+2:20091214:102
QTY+113:110:EA
SCC+4++W
DTM+2:20091221:102
UNS+S
UNT+52+1
UNZ+1+5